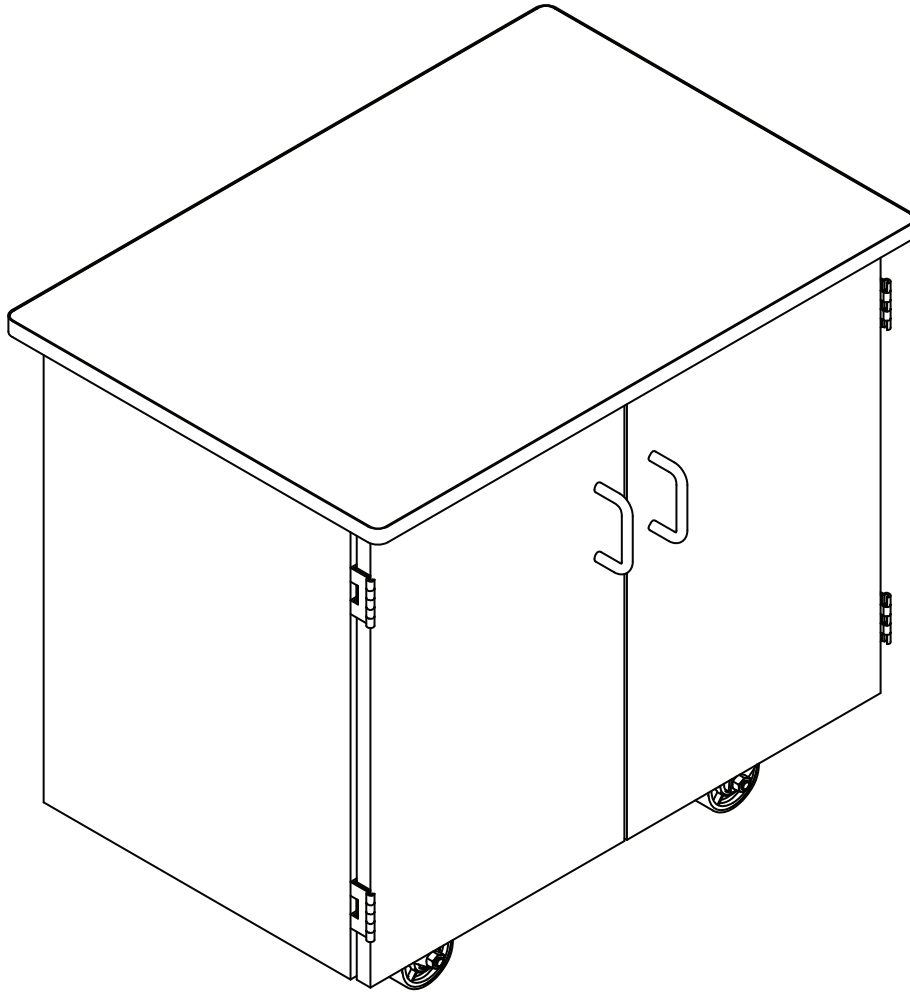


Mobile Science Cabinet – *Model # MSC2436*

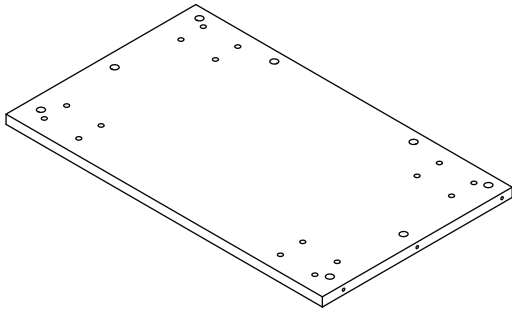


ASSEMBLY MANUAL

Dear Customer,

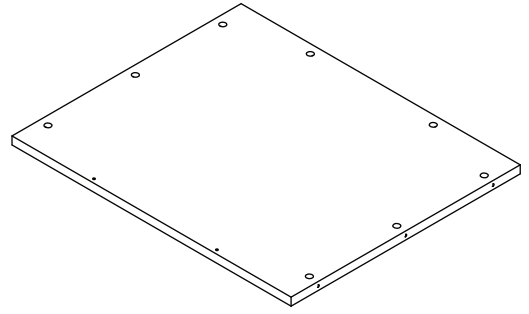
Thank you for your purchase. Although extreme care goes into the manufacturing and packaging of this product, mistakes are possible. If you encounter any missing parts or difficulty in assembly, etc., please call our customer service TOLL FREE at 1-800-261-4112 for courteous & immediate resolution to your problem.

PANELS



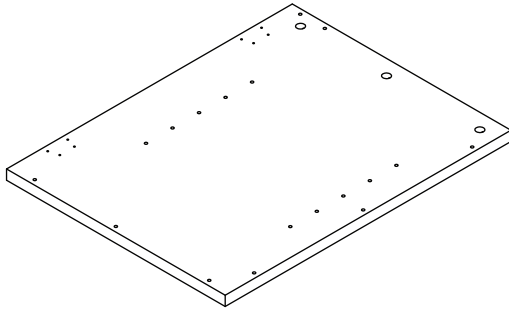
A

Bottom



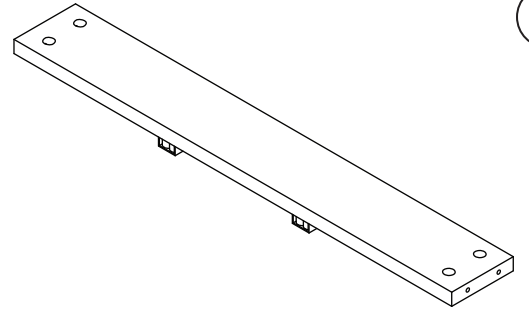
B

Back



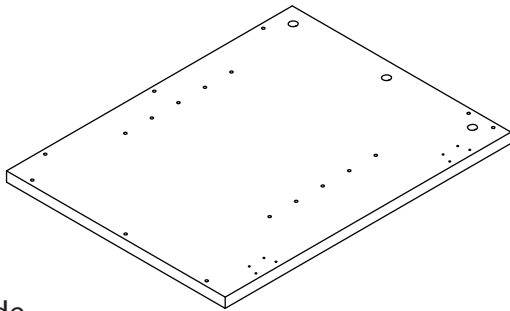
C

Left Side



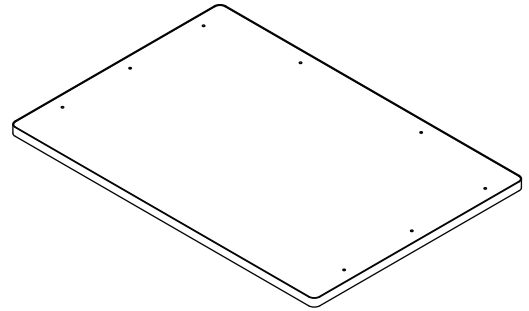
D

Thin Top Bar



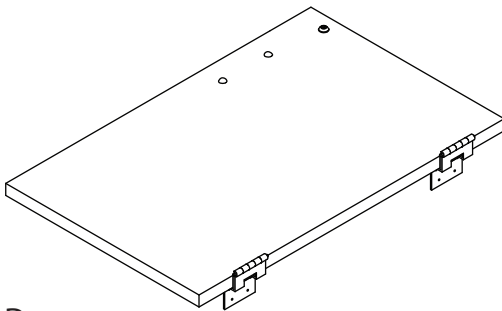
E

Right Side



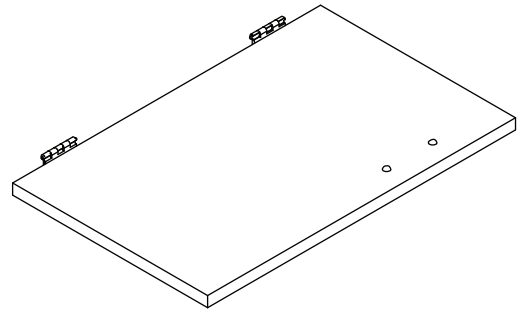
F

Tabletop



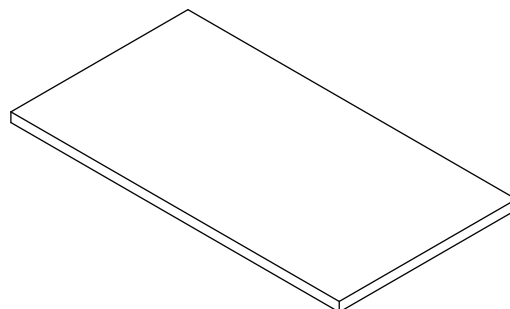
G

Right Door



H

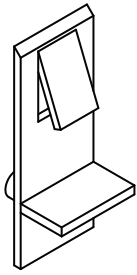
Left Door



I

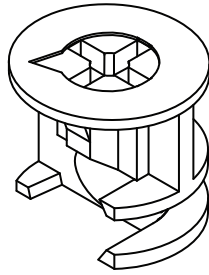
Shelf

ACCESSORIES



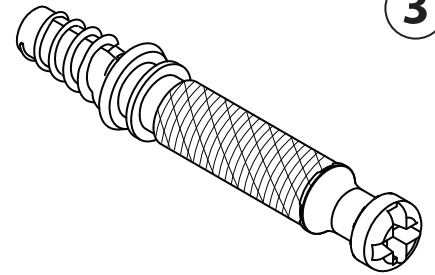
1

Shelf Support
Quantity: 4



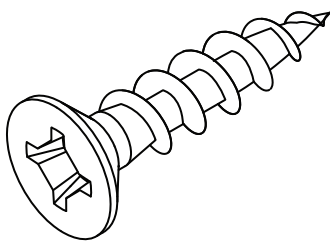
2

Cam Lock
Quantity: 26



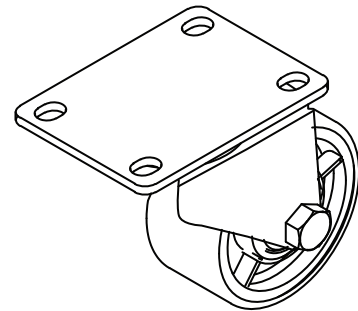
3

Cam Bolt
Quantity: 26



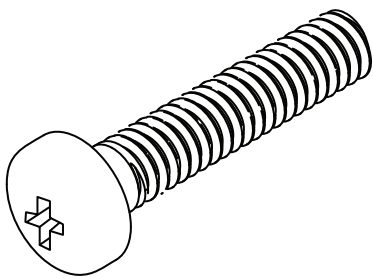
4

Hinge Screw
Quantity: 16



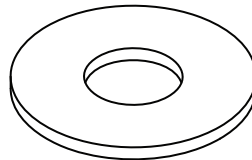
5

Caster
Quantity: 4



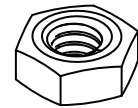
6

Caster Bolt
Quantity: 16



7

Caster Wash
Quantity: 16



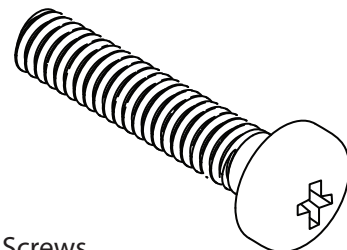
8

Caster Nut
Quantity: 16



9

Door Handle
Quantity: 2



10

Door Handle Screws
Quantity: 4

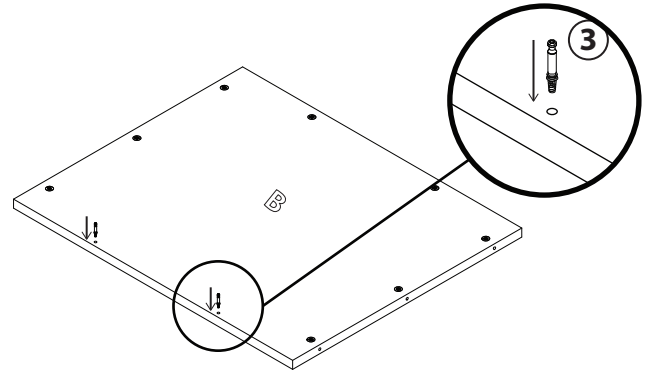
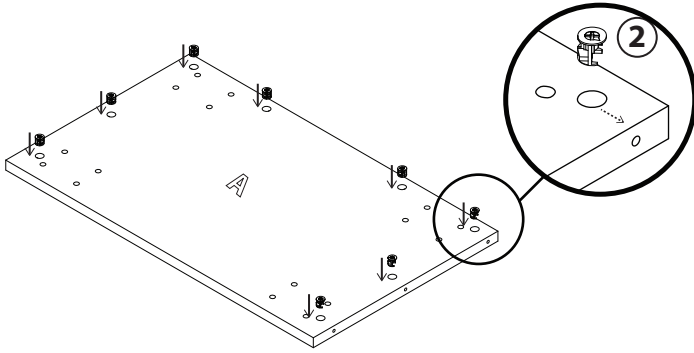
TOOLS FOR ASSEMBLY

- Philips screwdriver
- Wrench
- Drill (Optional)
- Flat-head screwdriver (Optional)

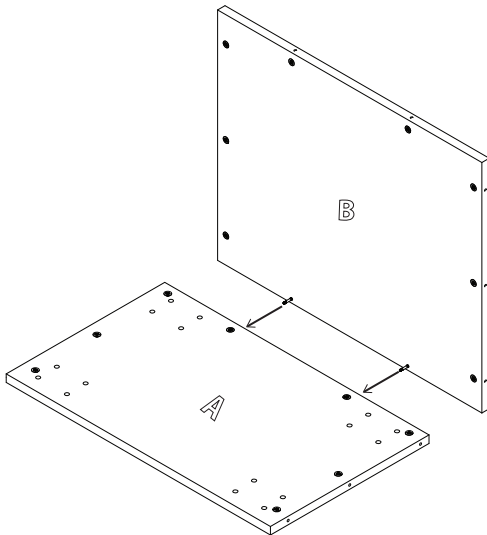
ASSEMBLY STEPS

STEP 1 - Insert all of the *cam locks* (2) and *cam bolts* (3) into the pre-drilled holes.

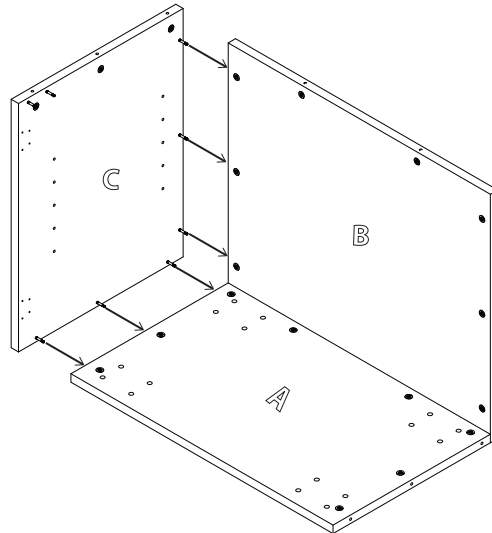
**Make sure all of the arrows on the cam locks are facing the pre-drilled cam bolt holes*



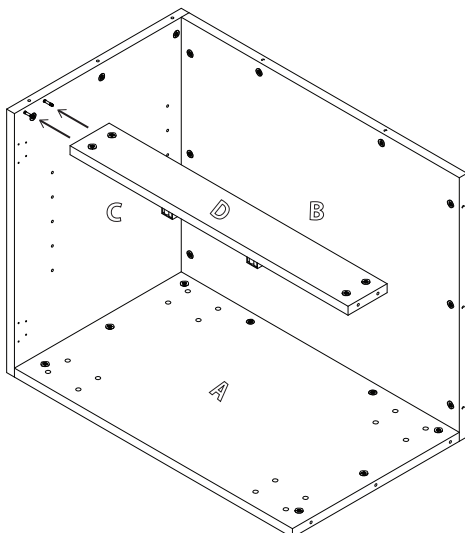
1.a - Take *panel B* and align the 2 *cam bolts* with the *cam locks* on the back side of *panel A*. Tighten *cam locks*.



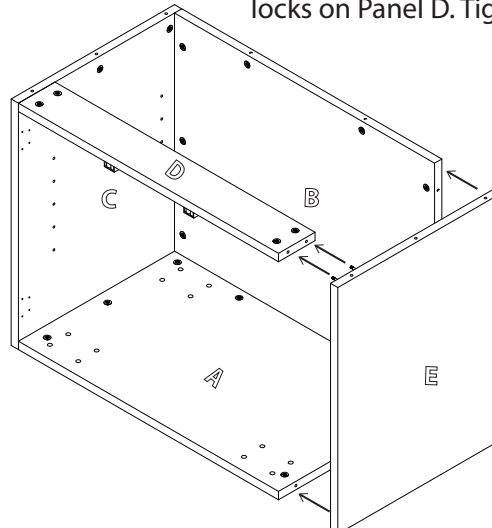
1.b - Take *panel C* and align the 3 *cam bolts* with the *cam locks* on the left side of *panel A*, and also the 3 *cam bolts* with the *cam locks* on the left side of *Panel B*. Tighten *cam locks*.



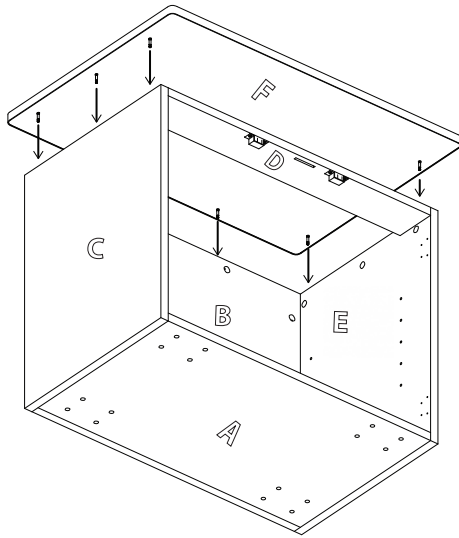
1.c - Take *panel D* and align the 2 *cam locks* with the *cam bolts* on the top-front side of *panel C* with the door catch facing downwards. Tighten *cam locks*.



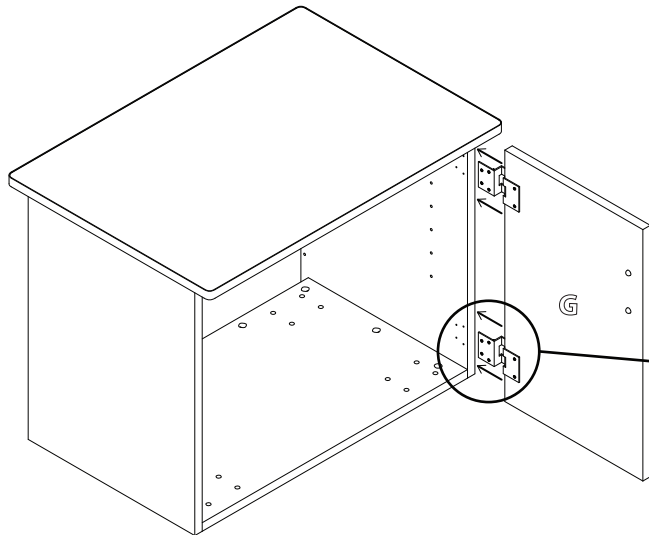
1.d - Take *panel E* and align the 3 *cam bolts* with the *cam locks* on the right side of *panel A*; the 3 *cam bolts* with the *cam locks* on the right side of *Panel B*, while simultaneously aligning the 2 *cam bolts* with the *cam locks* on *Panel D*. Tighten *cam locks*.



ASSEMBLY STEPS

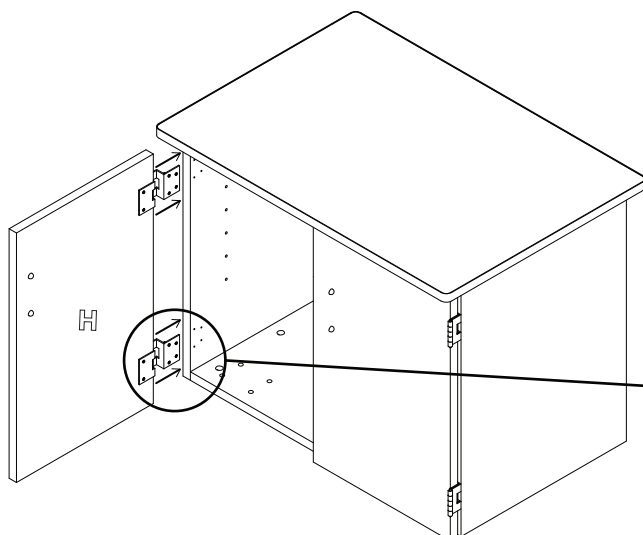
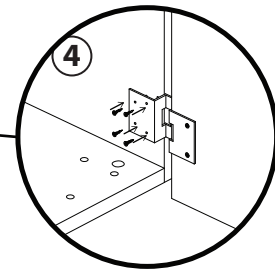


1.e - Take *panel F* and align the 8 *cam bolts* with the *cam locks* on the top of *panels B, C and E* with the dark black side of the tabletop facing outwards. Tighten *cam locks*.

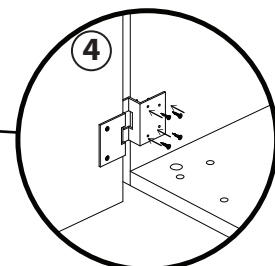


STEP 2 - Attach doors

2.a - Take *Panel G* and 8 *hinge screws* (4) and screw in both of the hinges to the pre-drilled holes on *panel E*.

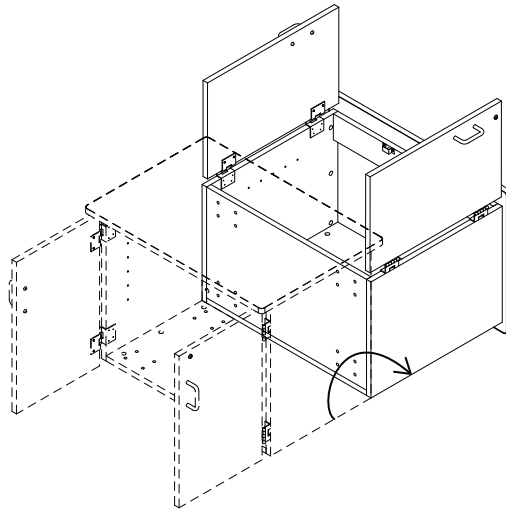


2.a - Take *Panel H* and 8 *hinge screws* (4) and screw in both of the hinges to the pre-drilled holes on *panel C*.

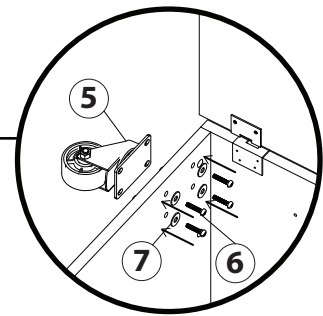
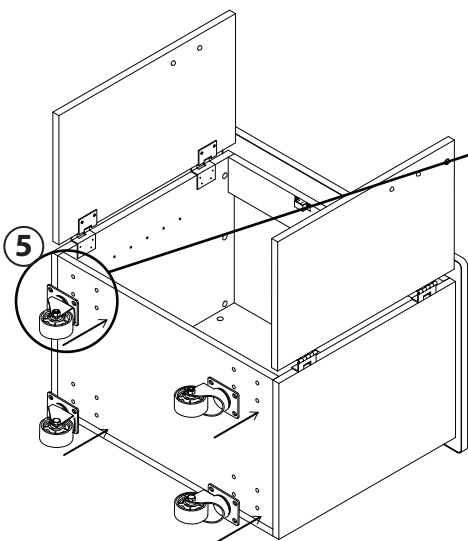


ASSEMBLY STEPS

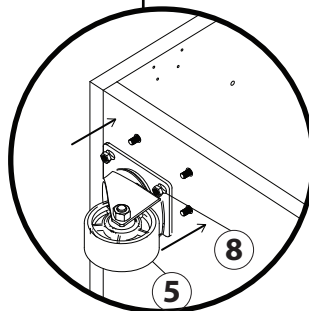
STEP 3 - Lay the cabinet on its back.



3.a - Take each *caster* (5) with 4 bolts (6), washers (7), and nuts (8).



3.b - Insert one *bolt* (6) and a *washer* (7) into each pre-drilled hole from the inner bottom of the cabinet.

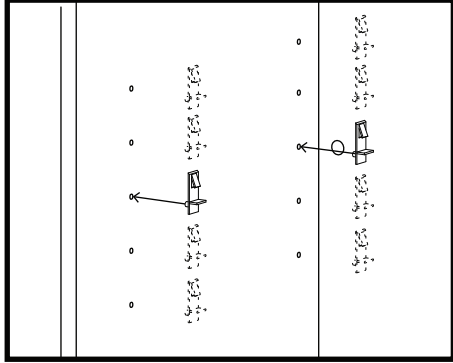


3.c - Fasten the *casters* (5) to the outer bottom of the cabinet using the *nuts* (8).

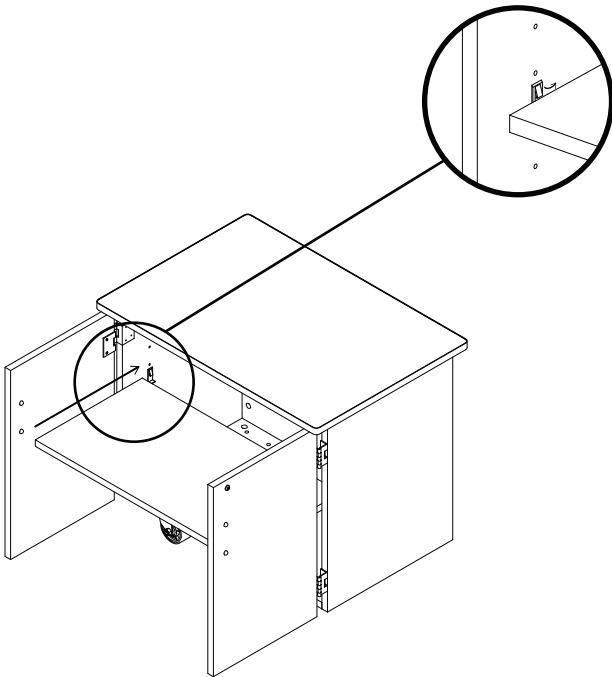
ASSEMBLY STEPS

STEP 4 - Attach *Door Handles* ⑨ and Adjustable Height Shelf

4.a - Insert the 4 *shelf supports* ① at the desired shelf height



4.b - Lift the tabs of the *shelf support* ① and slide the shelf onto the supports.



4.c - Attach each *door handle* ⑨ using 2 *door handle screws* ⑩ each.

