



DY82 MUSIC CHAIR DOLLY ASSEMBLY



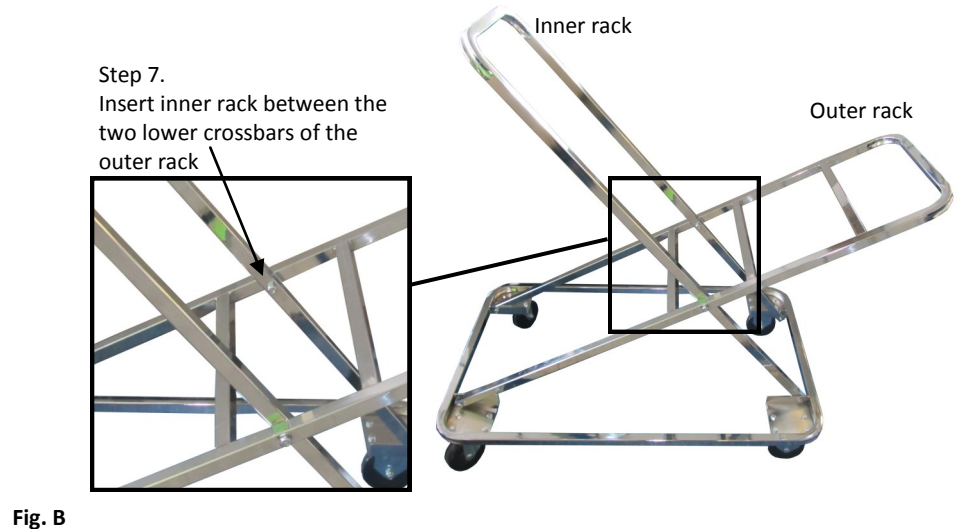
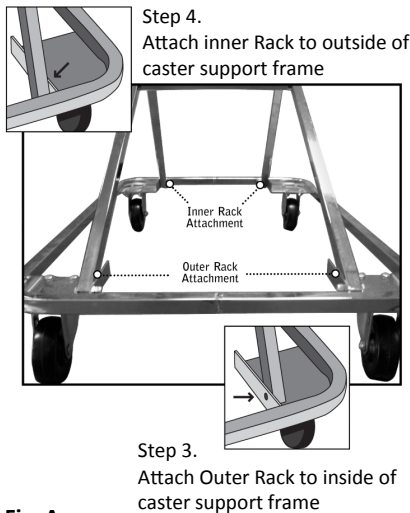
PARTS & HARDWARE

- Inner Rack
- Outer Rack (with crossbars)
- Bottom Frame
- 4 Casters (two swivel & two non-swivel)
- 7/8" Cap-screws- 16pcs.
- 1-1/2" Cap-screws- 4pcs.
- 2-1/4" Cap-screws- 2pcs.
- Lock nuts -22pcs.

TOOLS NEEDED:

- 1/2" Combination Wrench
- Ratchet with a 1/2" Socket

1. Install the two non-swivel casters at one end of the frame using four 7/8" cap-screws and lock nuts in each.
2. Install the two swivel casters at the other end of the frame using four 7/8" cap-screws and lock nuts in each.
3. Starting at the end of the unit with swivel casters, attach the Outer Rack to the inside of the caster support frame (see Fig. A) using two 1-1/2" cap-screws and lock nuts.
4. Attach the Inner Rack to the outside of the caster support frame (see Fig. A) at the end of the unit with the non-swivel casters using two 1-1/2" cap-screws and nuts.
5. Insert the Inner Rack in between the two lower crossbars on the Outer Rack (see Fig. B). After aligning the holes on both racks use two 2-1/4" cap-screws and lock nuts to attach.



Dear Customer,

Thank you for your purchase. Although extreme care goes into the manufacturing and packaging of this product, mistakes are possible. If you encounter any missing parts or difficulty in assembly, please call our customer service **TOLL FREE at 1-800-261-4112** for a courteous and immediate resolution to your problem.

CAUTION: Double check all screws to be tightened securely before use. Check all screws periodically. Failure to completely tighten the screws may result in tipping & possible injury!