


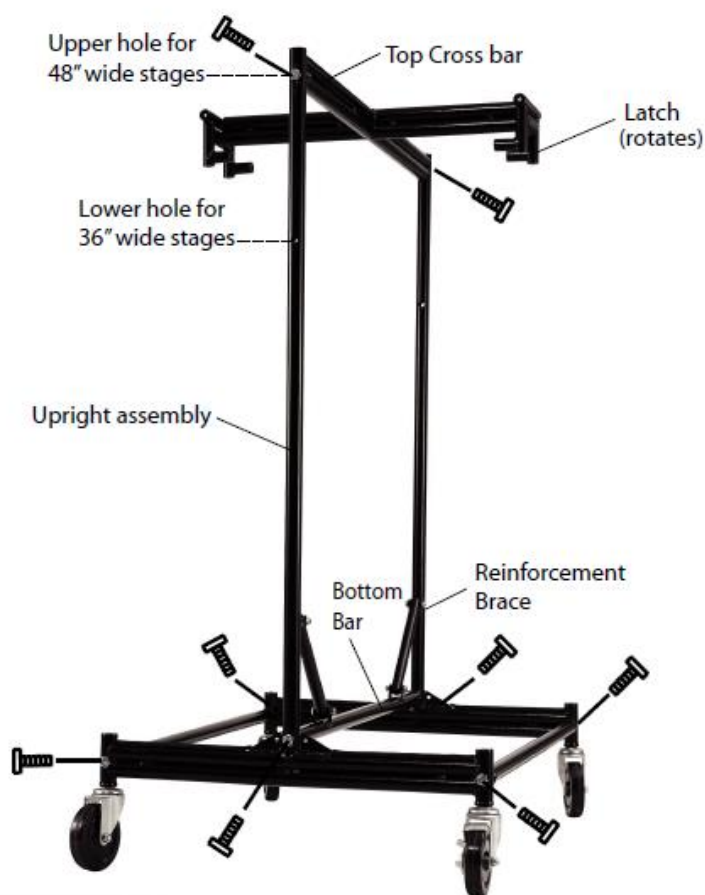


# SDL Stage Dolly

## Assembly Instructions

### Tools Required

Crescent (adjustable) Wrench 



### Loading Stages:

- 1) For 48" wide stages, screw the top cross bar in the upper holes. For 36" wide stages screw the top cross bar into the lower holes.
- 2) Once dolly is assembled, rotate latch and load stages. Release latch into original position to prevent stages from falling off the dolly.

Dear Customer,

Thank you for your purchase. Although great care goes into manufacturing and packaging of this product, mistakes are possible. If you encounter any missing parts or have difficulty with assembly, please contact our customer service Toll Free at 1-800-261-4112 for immediate and courteous service.

[www.nationalpublicseating.com](http://www.nationalpublicseating.com)