

The
United
States
of
America



The Director of the United States
Patent and Trademark Office

Has received an application for a new, original, and ornamental design for an article of manufacture. The title and description of the design are enclosed. The requirements of law have been complied with, and it has been determined that a patent on the design shall be granted under the law.

Therefore, this

United States Patent

Grants to the person(s) having title to this patent the right to exclude others from making, using, offering for sale, or selling the design throughout the United States of America, or importing the design into the United States of America for the term of fourteen years from the date of grant of this patent.

Jon W. Dudas

Director of the United States Patent and Trademark Office



US00D560384S

(12) **United States Design Patent**
Stauber

(10) **Patent No.:** **US D560,384 S**

(45) **Date of Patent:** **** Jan. 29, 2008**

(54) **CHAIR**

(75) Inventor: **Barry Stauber**

(73) Assignee: **National Public Seating Corp.**, Clifton,
NJ (US)

(**) Term: **14 Years**

(21) Appl. No.: **29/278,535**

(22) Filed: **Apr. 2, 2007**

(51) **LOC (8) Cl.** **06-01**

(52) **U.S. Cl.** **D6/374; D6/380**

(58) **Field of Classification Search** **D6/334-336,**
D6/370-373, 374, 375, 376, 379, 380, 500-502;
297/239, 445.1, 446.1, 452.29

See application file for complete search history.

(56) **References Cited**

U.S. PATENT DOCUMENTS

D213,191 S *	1/1969	Koch	D6/502
D219,032 S *	10/1970	Christenson, Jr.	D6/374
4,306,750 A	12/1981	Wenger et al.		
D264,779 S	6/1982	Wenger et al.		
D264,899 S *	6/1982	Lange	D6/374
D270,792 S *	10/1983	Lange	D6/374
D318,186 S *	7/1991	Votteler	D6/374

D357,594 S *	4/1995	Kellen	D6/374
D374,561 S *	10/1996	Meijer	D6/379
D376,272 S *	12/1996	Piretti	D6/374
D395,177 S *	6/1998	Dammerman et al.	D6/380
D411,382 S *	6/1999	Graham	D6/380
D541,068 S *	4/2007	Poster	D6/374

* cited by examiner

Primary Examiner—Mimosa De

(74) *Attorney, Agent, or Firm*—Joel Weiss; Weiss + Arons, LLP

(57) **CLAIM**

The ornamental design for a design for chair, as shown and described.

DESCRIPTION

FIG. 1 is front left perspective view thereof;

FIG. 2 is a front view thereof;

FIG. 3 is left view thereof;

FIG. 4 is top view thereof; and,

FIG. 5 is a right view thereof.

The design has an unornamented bottom view and back view and views thereof are omitted from the specification.

1 Claim, 3 Drawing Sheets

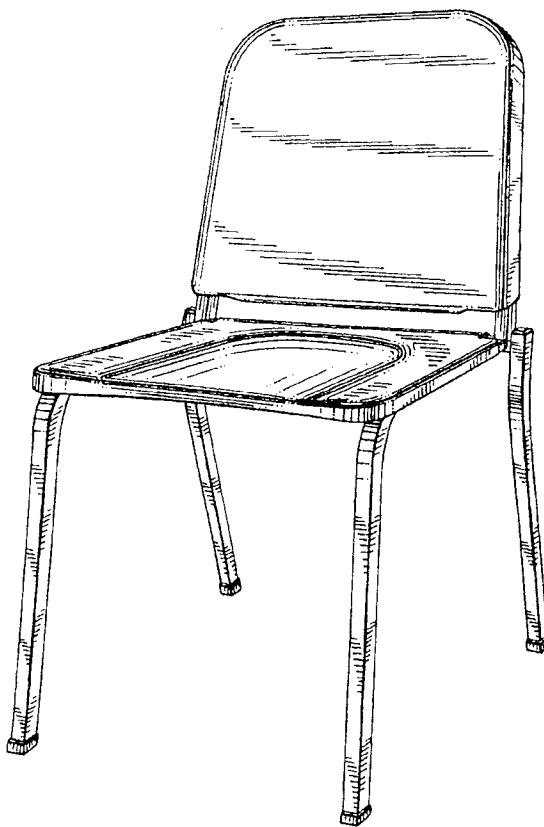
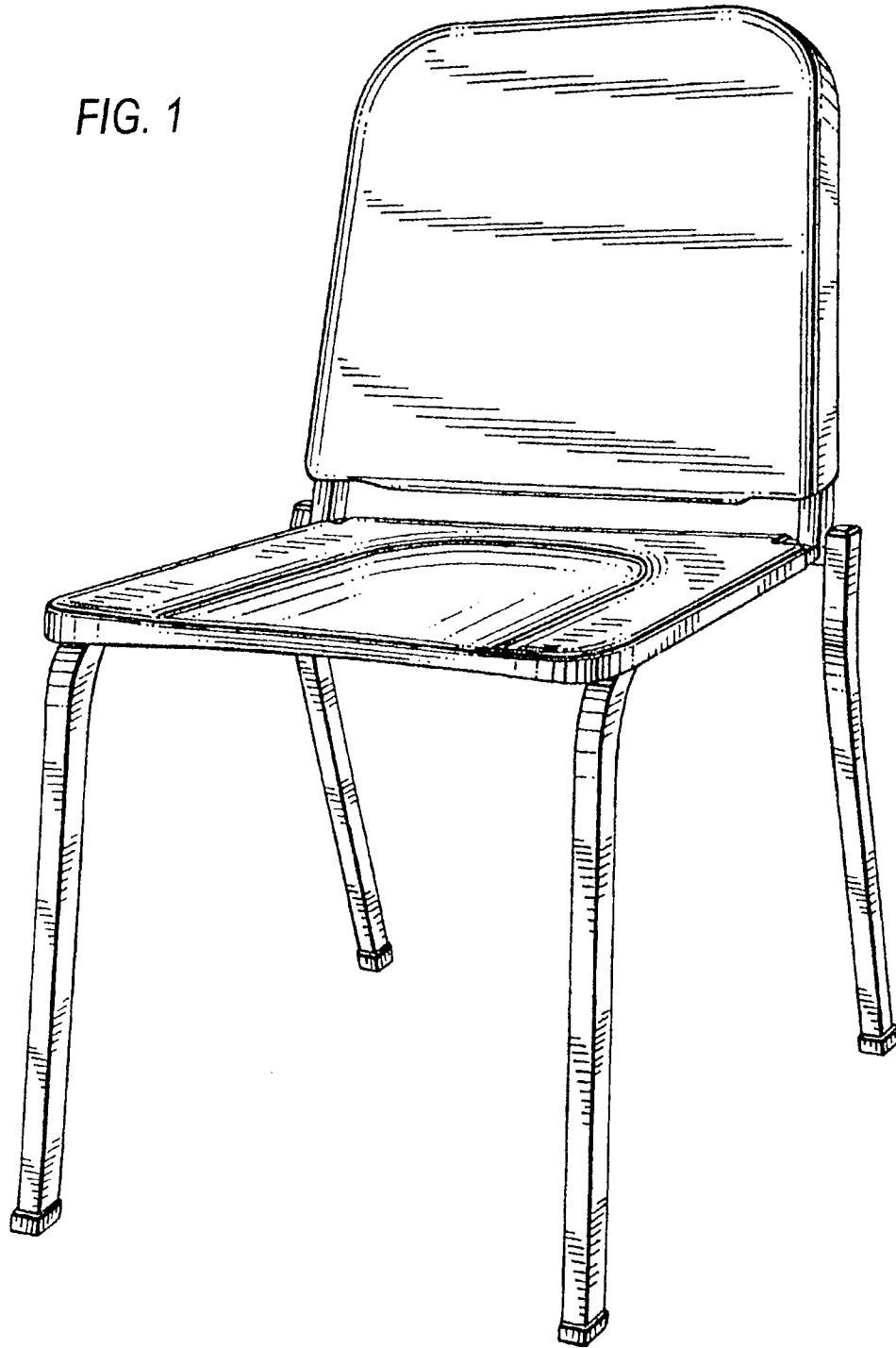


FIG. 1



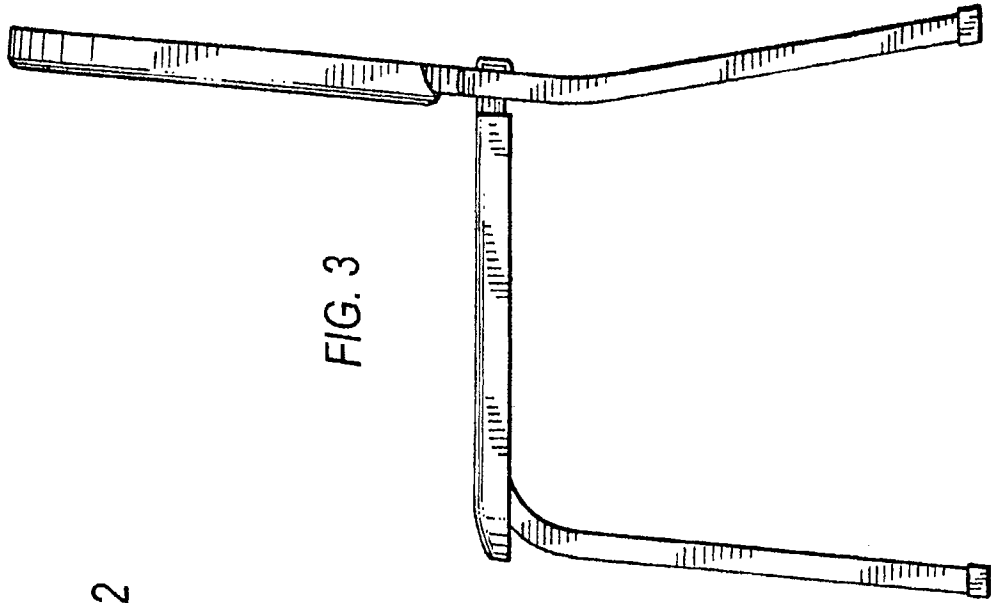


FIG. 3

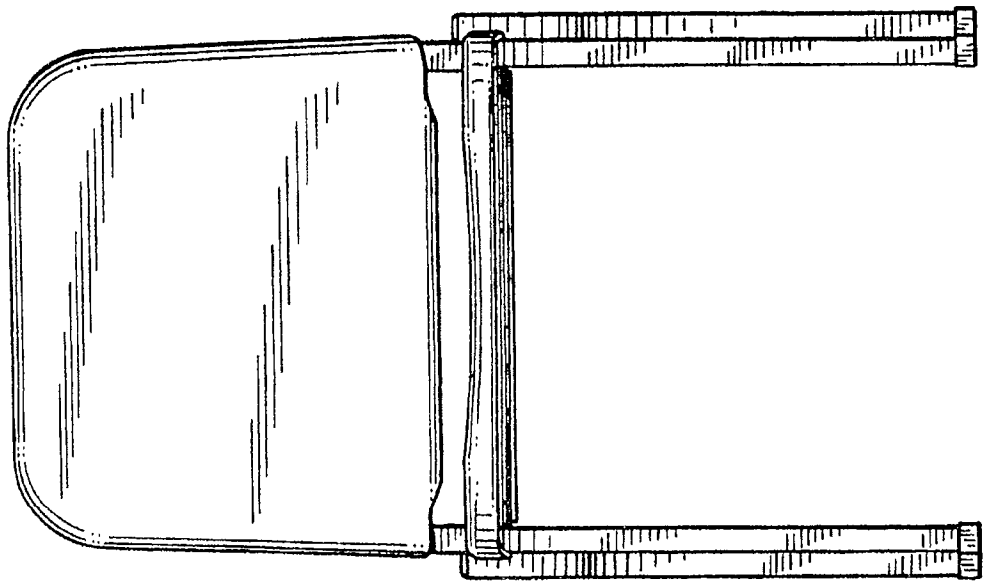


FIG. 2

FIG. 5

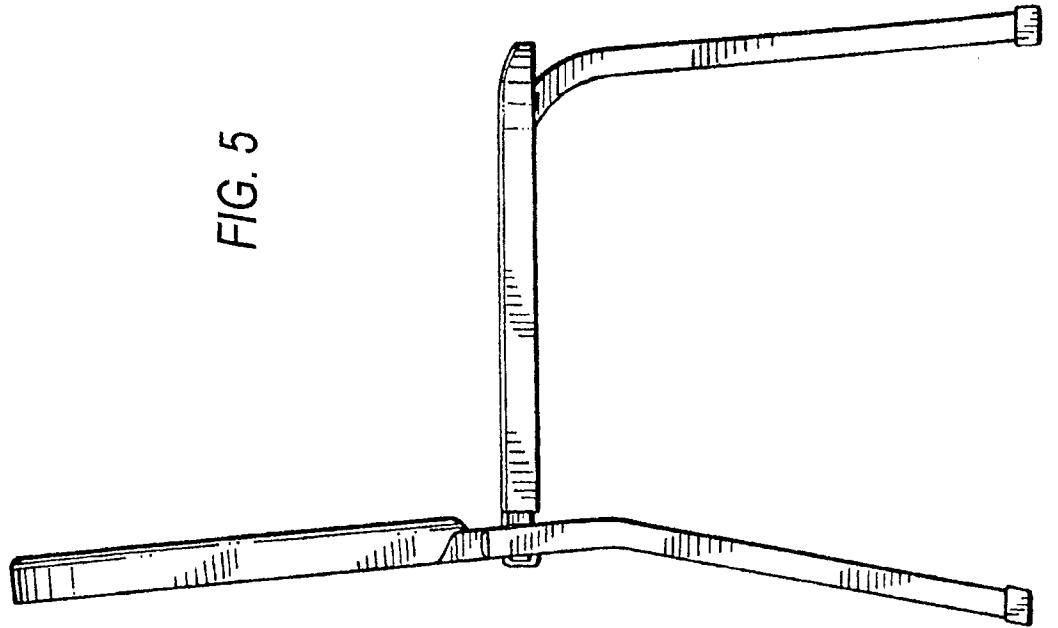


FIG. 4

